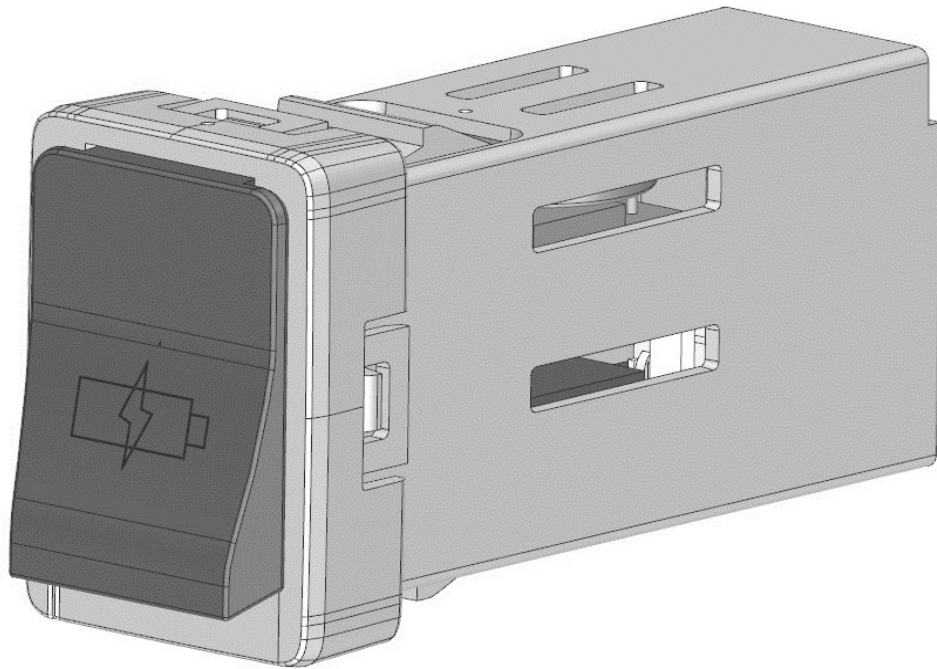




# USB Fast Charger (A+C)

## OWNERS MANUAL



Please read this manual for proper operation and keep it for future reference.



# TABLE OF CONTENTS

## USB Fast Charger (A+C)

Section	Title	Page
1.0	Safety Instruction	1
2.0	Product Description	2
3.0	User Instruction	3
4.0	Precaution	4
5.0	Notice	5

Please read this manual for proper operation and keep it for future reference.



## SECTION 1.0

### Safety Instruction



The product must only be used for its intended purpose and in accordance with these instructions. All other use is considered to be unsuitable.



The manufacturer cannot accept liability for personal injury or material damage resulting from improper use of the product.



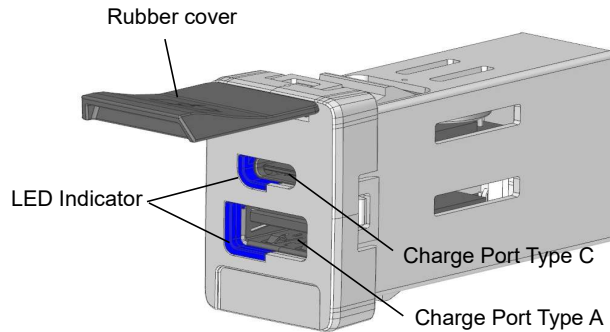
Observe the following precautions. Failure to do so may result in the possibility of fire, equipment failure or damage, or burns due to heat.

- Do not expose the charger to moisture and liquid.
- Do not used for data transfer since it is only for battery charging purposes.
- Do not used with over-power device such as laptop and others USB device beside smartphone and tablet.
- Do not disassemble, modify or remove the USB Charger.
- Do not use the USB charger if it has been damaged.



## SECTION 2.0

### Product Description



*Figure 2.0: USB Charger*

A portable device, such as a smartphone or tablet, can be charged by plugging a USB cable into the designated port.

To achieve Fast Charge mode, the portable device must be compatible with the Fast Charge protocol and a Fast Charge cable. Charging time varies depending on the smartphone/tablet battery capacity and the Fast Charge protocol.

Input Voltage		DC9V~16V
Port A	Output	5V/3A,9V/2A
Port C	Output	5V/3A,9V/3A,3.3V-5.9V/3A,3.3V-11V/3A
Led Indicator		Green : Idle/ Complete charging
		Red : Charging
Protection		Short Circuit
		Over Temperature
		Over Load
Protocol		DCP, QC2.0, QC3.0, FCP, SCP, AFC, MTK PE, SFCP, PD2.0, PD3.0 (PPS)

*Table 2.0: Specification*




## SECTION 3.0

### User Instruction

- i- The USB Charger will turn ON when the user start the vehicle engine.  
The LED indicator will turn **Green** meaning it is in standby mode.
- ii- Connect USB cable to USB charger port and the other end of USB cable connect with portable device.
- iii- The LED indicator light will change to **RED** once the charging begins.  
After the charging is complete, the **RED** light will change to **Green**.
- iv- For supporting smartphone, the screen will display "Fast Charging/Quick Charging".

Scenario Operation	LED Indicator	
	Incase of push start button.	RED
1 <sup>st</sup> Push start (ACC)	Charging	Idle Completed
2 <sup>nd</sup> Push Start (IG)	Charging	Idle Completed
After Brake + 1 push start (Engine ON)	Charging	Idle Completed
Engine OFF	No Light	No Light
	(Cannot Charger)	

*Table 3.0: Operational Indicator*

 TOYOTA	<b>SECTION 4.0</b>
	<b>Precaution</b>
<ul style="list-style-type: none"><li>• Do not spill liquids (i. e. water, drinks, etc.) on the USB Charger.</li> <li>• Misuse or excessive force may cause product damage.</li> <li>• While charging, the USB charger and the portable device will become warm. This is not a malfunction. If a portable device becomes warm while charging and charging stops due to the protection function of the portable device, wait until the portable device cools down and charge it again.</li> <li>• Different type of Battery capacity will affect on the charging performant.</li> <li>• Please be awared for chargable while during engine off , it's effected to Battery life time will be empty</li></ul>	
Please read this manual for proper operation and keep it for future reference.	4/5



## SECTION 5.0

### Notice

- Charging will be suspended when vehicle engine is OFF. Charging will resume after engine ON.
  
- In the following situations, the USB charger may not operate correctly:
  - When a portable device is not centred on the charging area
  - When a portable device becomes hot while charging