



# ALL-NEW VELOZ

## HAPPINESS INSIDE OUT



ALL-NEW VELOZ  
**PREMIUM  
CROSSOVER**

Discover a new kind of happiness with the spacious 7-seater premium crossover, made versatile to fit your needs.

Actual vehicle may vary from image shown.



EXTERIOR  
**STYLISH &  
PREMIUM** DESIGN

Be the talk of the town when you cruise the roads in style with the bold and sporty Veloz.

Actual vehicle may vary from image shown.



**Full LED Headlamps**

With Sequential Turn Signals and Daytime Running Lights.



**Full LED Rear Combination Lamps**

Bold and distinct look.



**Outer Mirror Foot Lamp**

Enhances visibility as you approach the car.



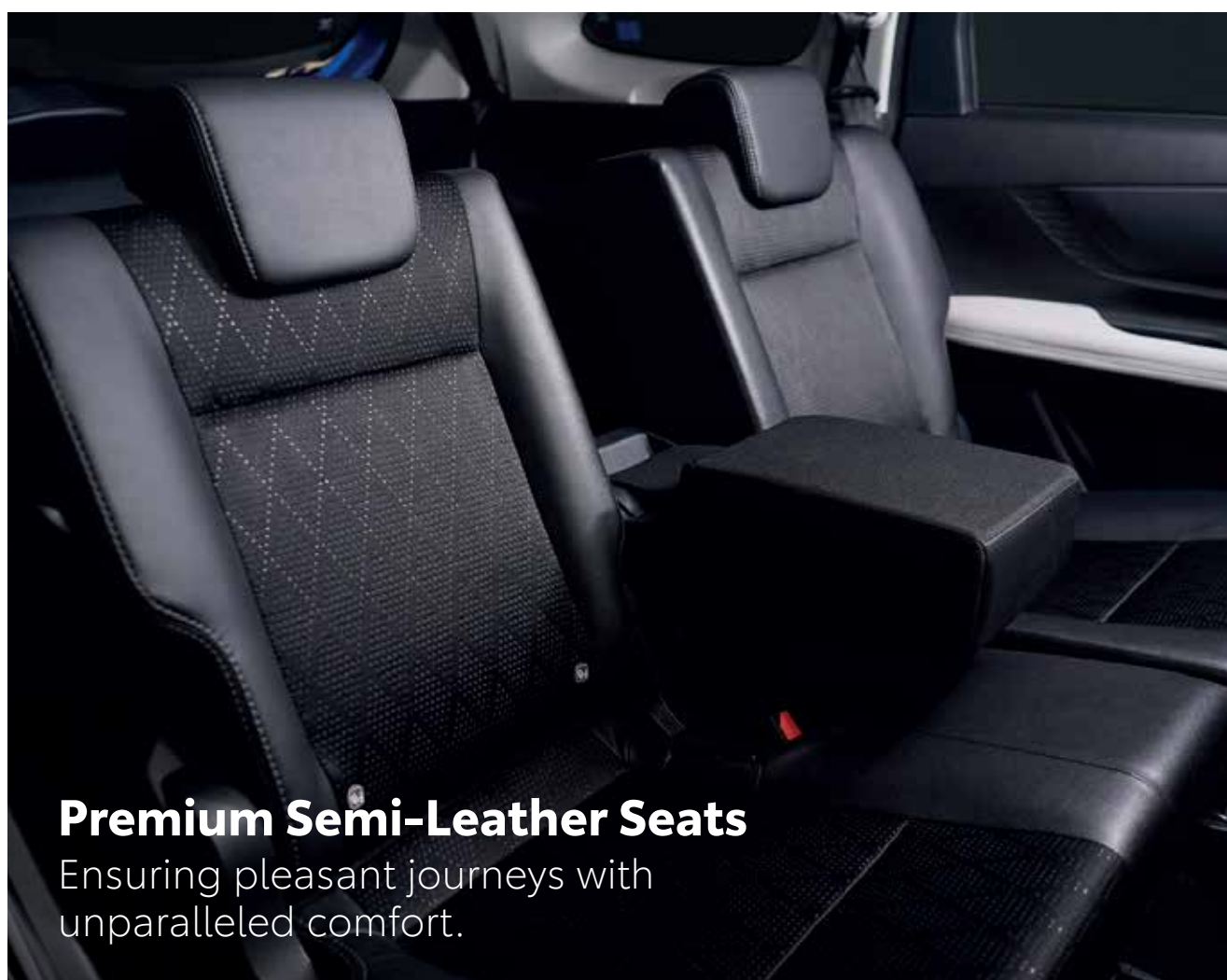
**17" Alloy Rim**

Alloy spokes that exude distinctive character.



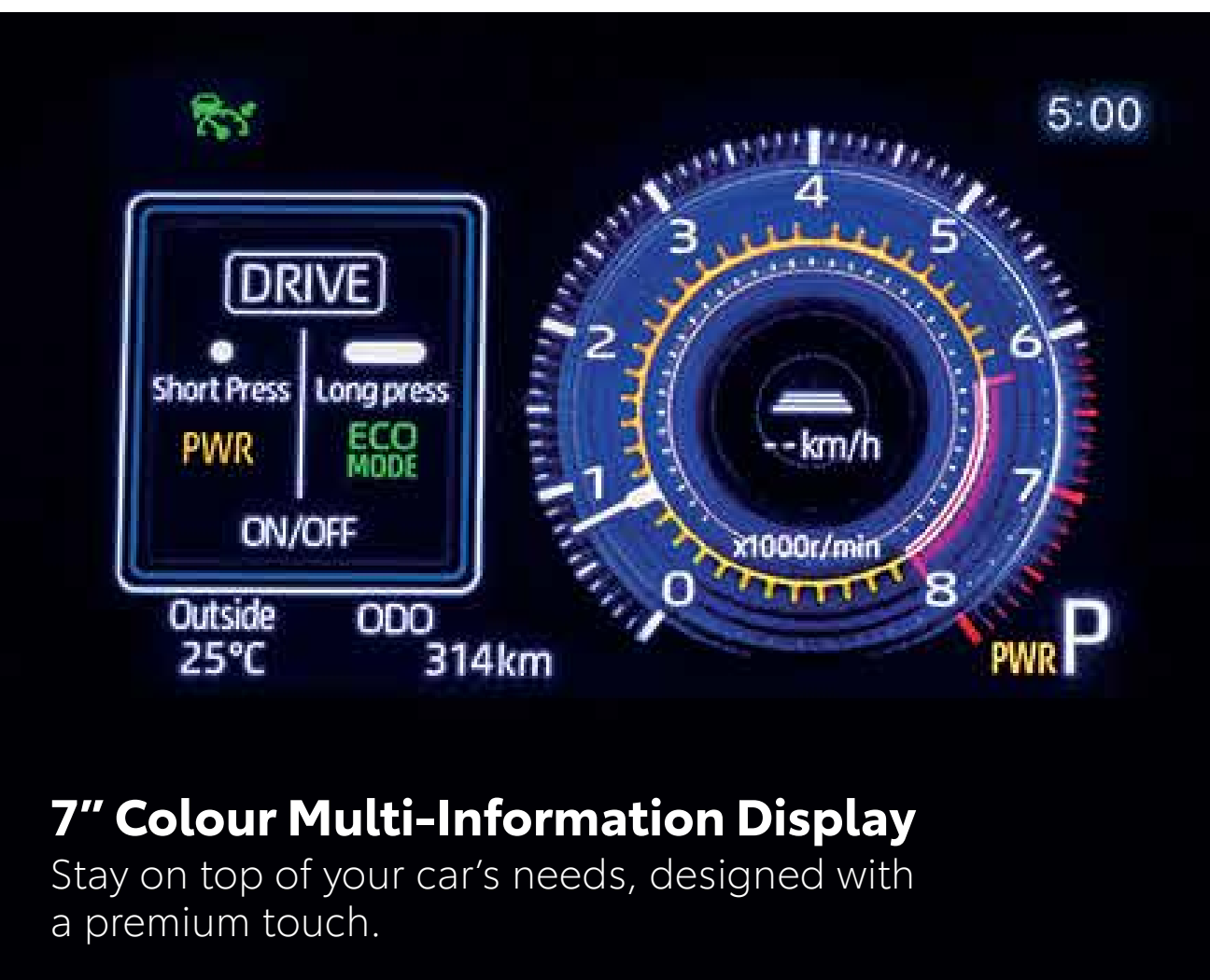
INTERIOR  
**SPACIOUS &  
DYNAMIC DESIGN**

In a Veloz, you can drive in style without compromising comfort.



**Premium Semi-Leather Seats**

Ensuring pleasant journeys with unparalleled comfort.



**7" Colour Multi-Information Display**

Stay on top of your car's needs, designed with a premium touch.



**LED Ambient Light**

Amplify comfort and premium feel.



**Two-Tone Soft Pad Interior**

Elegant finishing that exudes premiumness.



SPACE  
**COMFORTABLE  
& CONVENIENT**

No matter the place, distance or occasion, the Veloz is versatile and well-equipped to suit your needs.



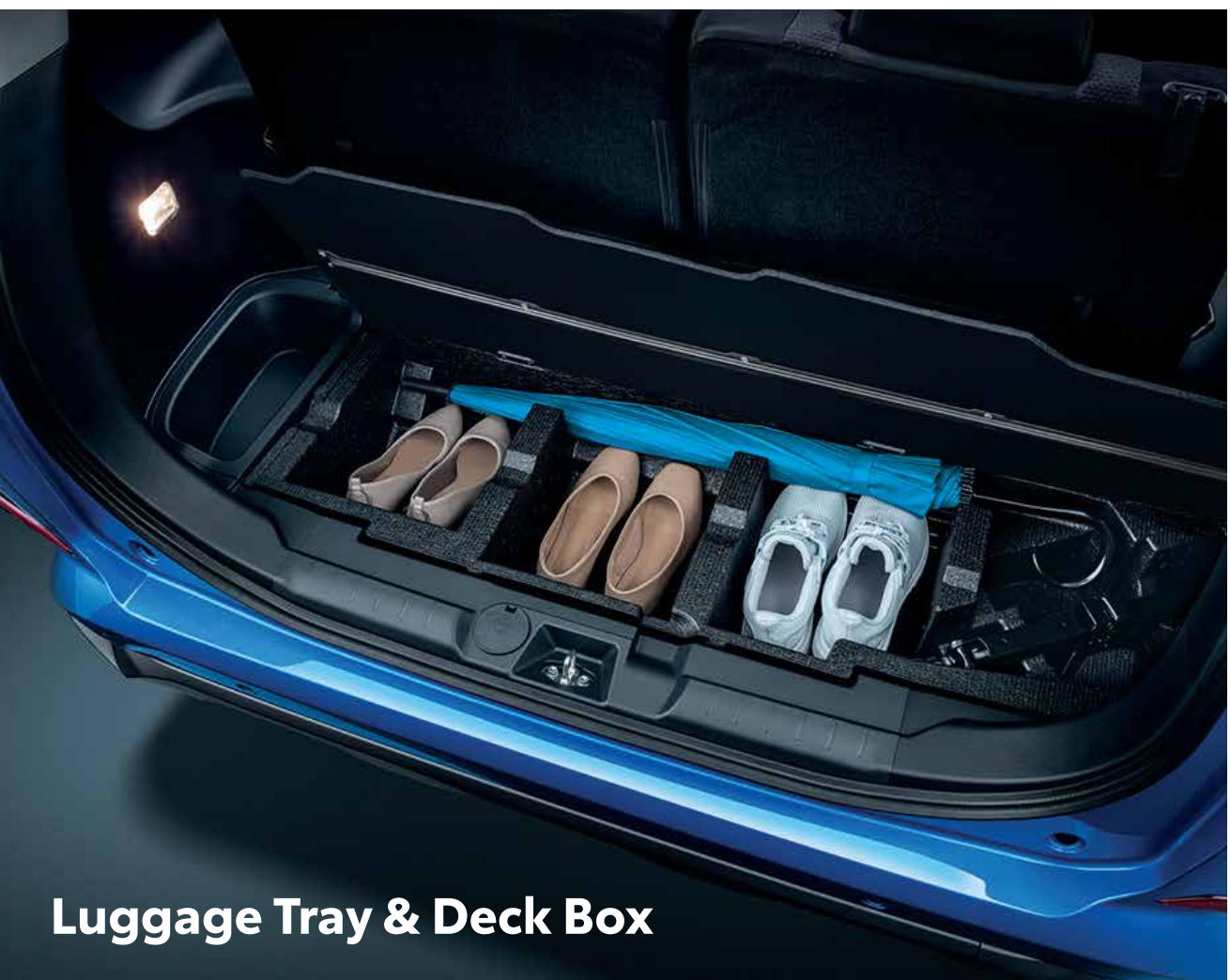
**Foldable Seats for Extra Space**



**Big Luggage Space**



**Roof Rails to Carry Extra Cargo**



**Luggage Tray & Deck Box**

Actual vehicle may vary from image shown.



**7 Seats with Multi-Fold Configurations**



**Spacious and Comfortable Interior**



**Multiple Drink & Bottle Holders**



PERFORMANCE  
**EFFICIENT &  
SMOOTH**

Enjoy a smooth drive every time  
you step inside the Veloz.





# 1.5L VVT-i ENGINE

Equipped with the latest VVT-i technology and paired with the Auto Stop-Start feature, enjoy a seamless driving experience with greater fuel efficiency.

## Newly Developed 7-Speed CVT

Effortless acceleration provides a pleasant shift feel for an enjoyable driving experience.



## Telescopic, EPS, Turning Radius

For excellent steering feel, tight turning radius and quiet operation with enhanced comfort.



## Electronic Brake Hold & Brake Parking Function

Eases operation during parking and driving in traffic jams.



## Drive Mode (PWR/ECO)

Switch your driving mode with ease.



Toyota  
Safety  
Sense

# TOYOTA SAFETY SENSE

Packed with active safety features, Toyota Safety Sense (TSS) is designed to help protect you and your passengers, and comes standard with many new Toyotas.



## Pre-Collision System (PCS)

Alerts driver of potential frontal collision and mitigates effects of a crash.



## Lane Departure Warning (LDW)

Alerts you in case of unintended lane departure. Applies corrective steering if needed.



## Front Departure Alert (FDA)

Audible and visual alert notifies driver if they do not notice the car in front has started to move.



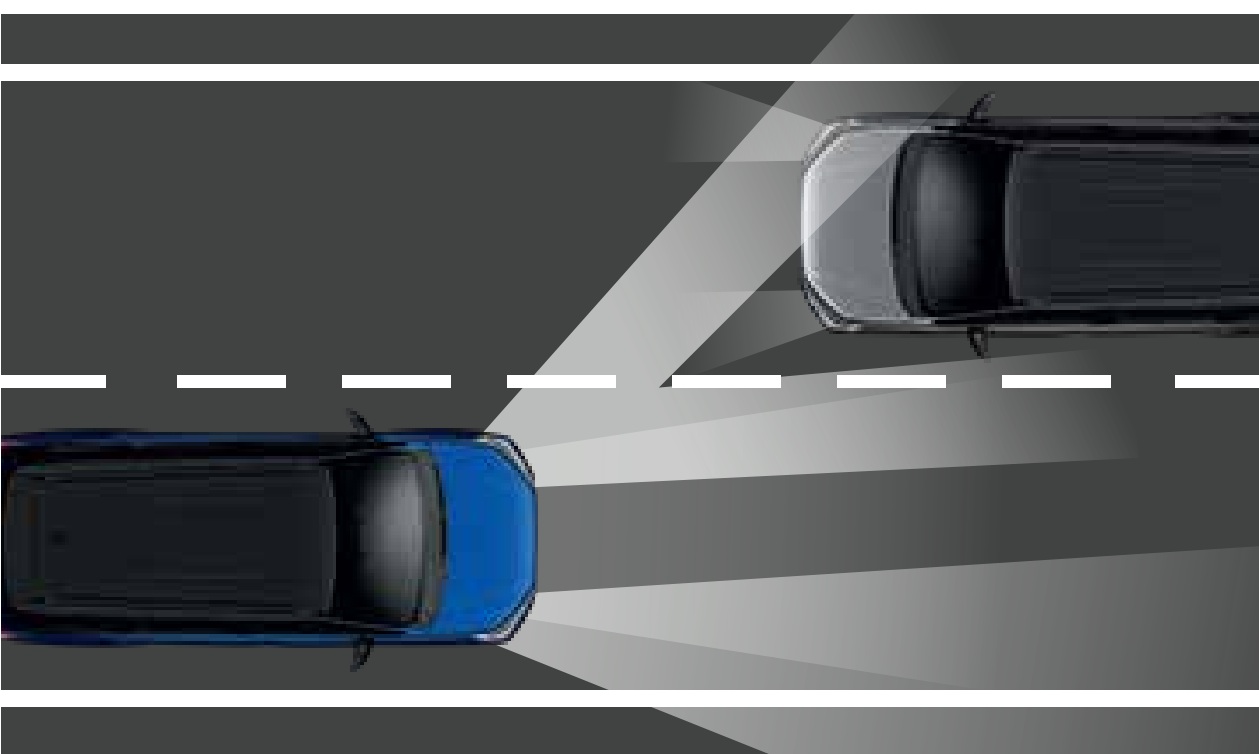
## Pedal Misoperation Control

Designed to help avoid or mitigate damage from a forward collision.



## Adaptive Cruise Control (ACC)

Follows the preceding vehicle at a safe distance with its on-board stereo camera.



## Adaptive Driving Beam (ADB)

Automatically adjusts the headlamp light distribution to not dazzle preceding and oncoming vehicles.

Actual vehicle may vary from image shown.

# 360-T ADVANCED

## **SAFE-T** Trust for smoother journeys ahead



### **Blind Spot Monitor (BSM)**

Detects vehicles that may not be visible to the driver when changing lanes or reversing.



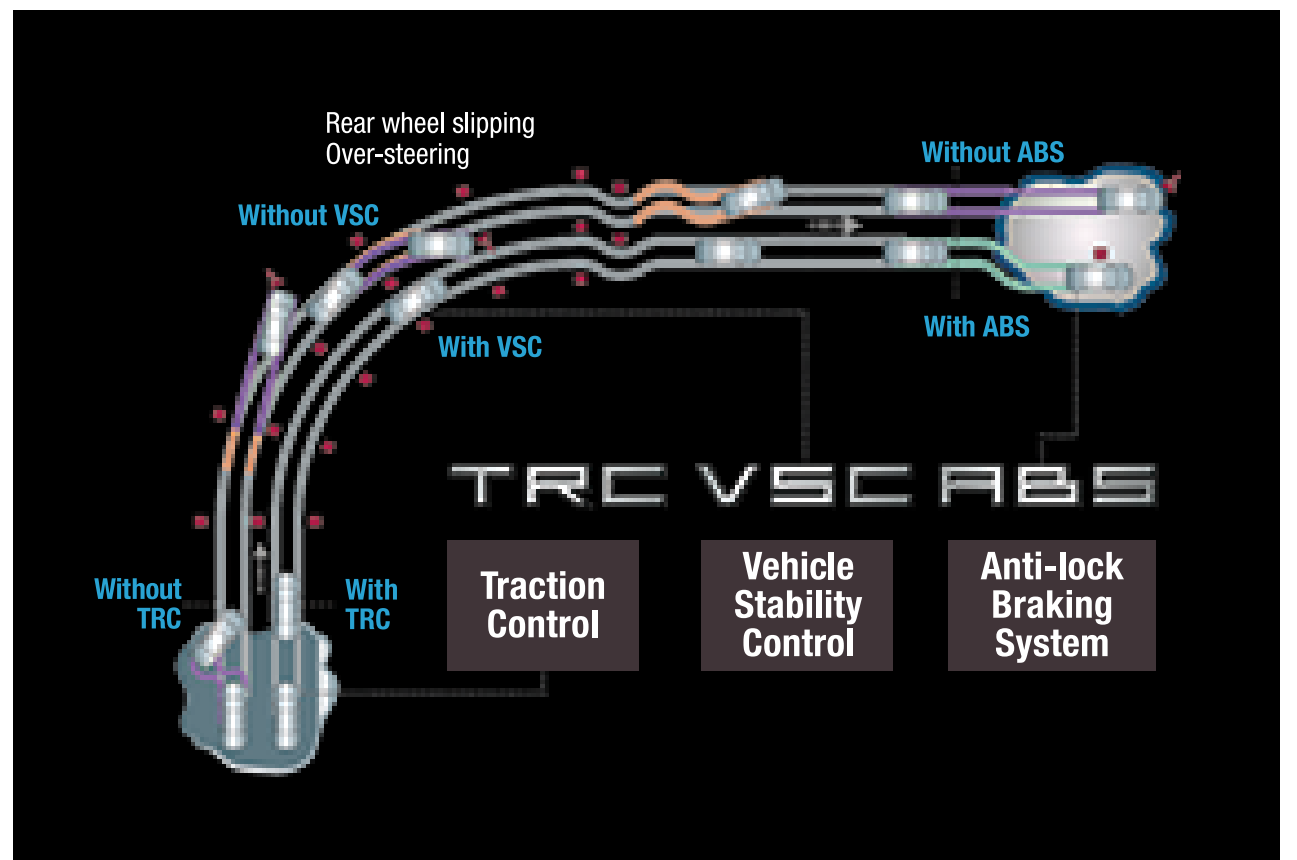
### **Rear Cross Traffic Alert (RCTA)**

Assists the driver when in reverse.



### **3D Panoramic View Monitor (PVM)**

Easily maneuver your vehicle in tight spaces.



### **Vehicle Stability Control (VSC)**

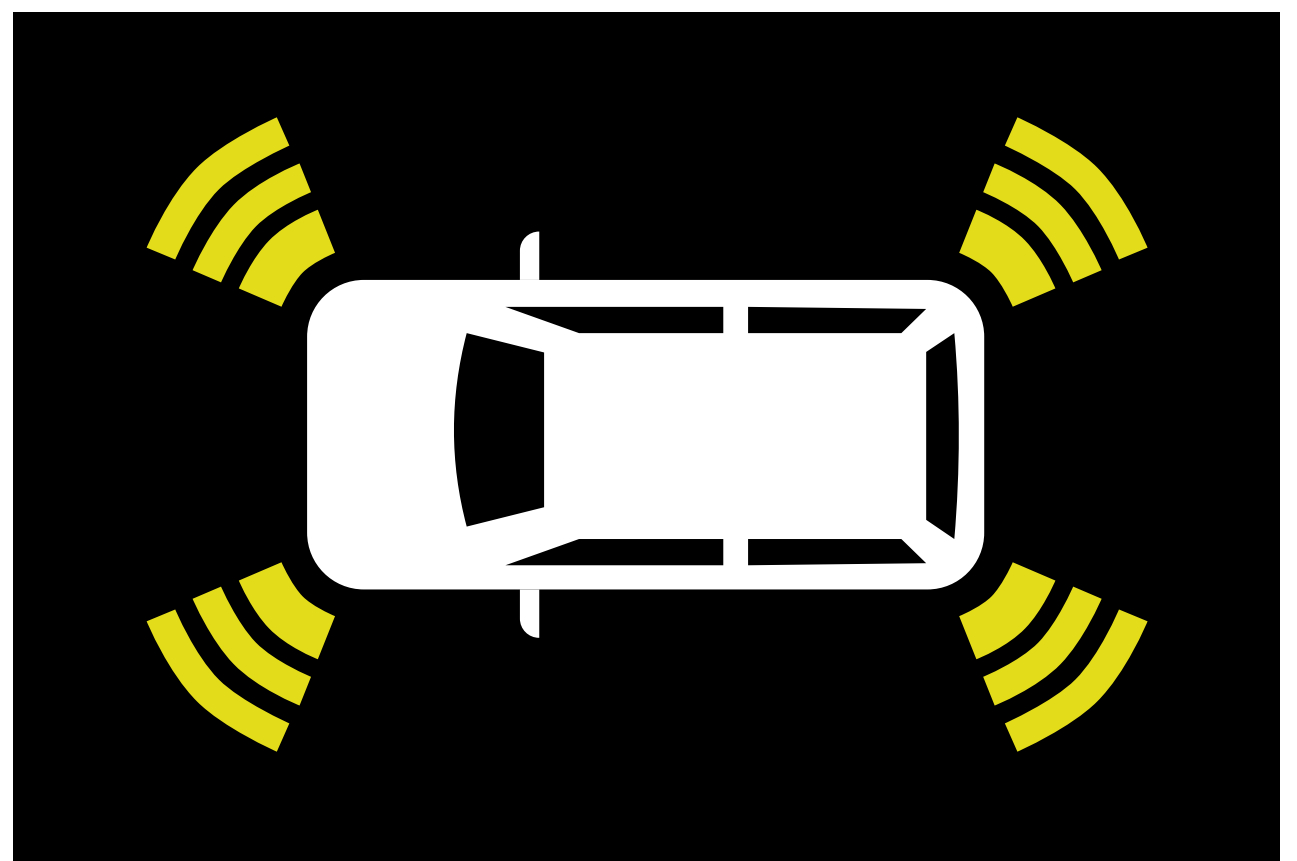
#### **with Traction Control (TRC)**

Be in control on slippery surfaces with improved traction, as well as better stability when turning on a curve.



### **Security Solar Tint**

Helps impede glass break-ins, reflect harmful rays and reduce heat build-up.



### **Front & Rear Sonar Sensor**

Alerts driver when the vehicle is in close proximity of an object/vehicle.

360-T ADVANCED

# CONNECTIVI-T Technology at your command



## 6 SRS Airbags

Strategically placed for protection during collision.



## Front and Rear DVR\*

HD cameras that automatically document your journey should an incident occur and evidence is needed.

*\*Rear DVR is optional*



## Hill-Start Assist Control (HAC)

Prevents vehicle from sliding backwards when on an incline.



## USB Charger & Accessory Socket

Multiple USB charging ports and 12V accessory outlets.



## Wireless Charger

Charge your devices on-the-go. Compatible with all Qi-enabled devices.



## Vehicle Telematics System (VTS)

An integrated system that monitors your vehicle's real-time location through an app.



## 9" Display Audio with Apple CarPlay & Android Auto™ Wireless Connectivity\*

Navigate and play your favourite tunes with ease through wireless connection.

*Apple CarPlay is a trademark of Apple Inc.*

*Android Auto is a trademark of Google LLC.*

*To use Android Auto on our car display, you'll need an Android phone running Android 6 or higher, an active plan, and the Android Auto app.*

*\*Android Auto™ will be available when the service is officially launched in Malaysia.*

360-T ADVANCED

# WARRAN-T For a total peace of mind



5 years warranty from the date of first registration with **unlimited** mileage.

Actual vehicle may vary from image shown.

# COLOUR VARIANT



Blue Metallic with Black Roof (XL3)



Silver Metallic with Black Roof (XL2)



Metallic Bluish Black (X16)



Red Metallic (R67)



White (W09)

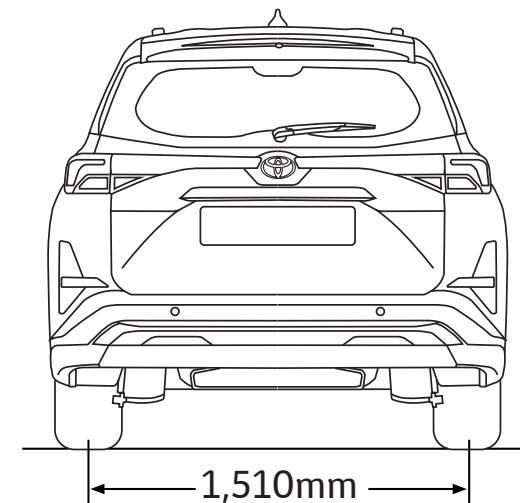
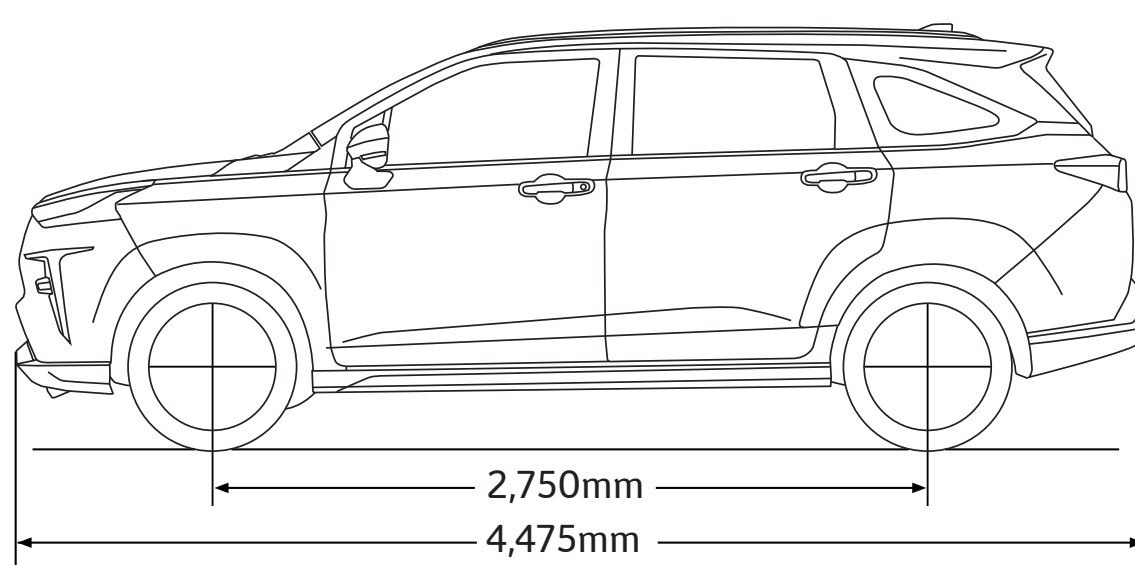
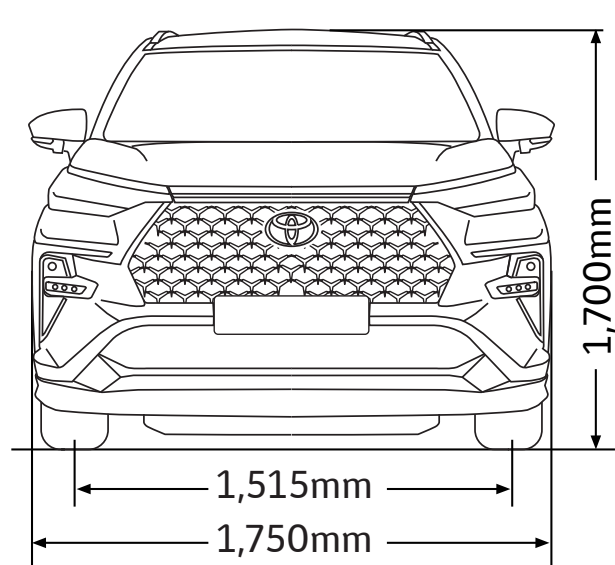
# SPECIFICATIONS

VARIANT			1.5
<b>ENGINE</b>			
Model	2NR-VE		
Type	4-cylinder, In-line, 16-valve DOHC with Dual-VVT-i		
Displacement	cc	1,496	
Bore x Stroke	mm	72.5 x 90.6	
Max. Output	kW (PS) / rpm		78 (106) / 6000
Max. Torque	Nm (kg-m) / rpm		138 (14) / 4200
<b>TRANSMISSION</b>			
Type	7-speed CVT		
<b>CHASSIS</b>			
Suspension	Front / Rear	Macpherson Strut with Stabiliser / Torsion-Beam with Stabiliser	
Brakes	Front / Rear	Disc / Disc	
Tyres & Rims & Spare Tyre	205/50 R17, Alloy		
<b>DIMENSIONS</b>			
Overall	Length / Width / Height	mm	4,475 / 1,750 / 1,700
Wheelbase		mm	2,750
Kerb Weight		kg	1,185
Fuel Tank Capacity		litre	43
Minimum Turning Radius		m	5.0
<b>EXTERIOR</b>			
Headlamps	Type	LED	
	Levelling	Auto	
	Additional Feature(s)	Sequential Turn Signal, Follow-me-home & Leaving Home	
Rear Tail Lamps	LED		
Fog Lamps	Daytime Running Lights (DRL)		
Radiator Grille	Trapezoid Grille with Glossy Finish		
Moulding / Beltline	Chrome		
Wing Mirrors	Auto retractable, Signal Lamps, BSM indicators & Foot Lamp		
Wipers	Front / Rear	with Speed Linked Intermittent function / with Reverse Linked function	
Antenna	Shark Fin		
Roof Rail & Door Visors	With		
<b>INTERIOR</b>			
Smart Entry and Start System	With		
Drive Mode Switch	Power, Eco & Normal mode		
Meter Combination	Segment Negative LCD & Digital Speedometer		
Multi-Information Display (MID)	7" Colour TFT Display		
Air Conditioning	Front / Rear	Automatic / With	
Steering Wheel	Type	3-spoke Leather with Tilt & Telescopic Adjustable	
	Control Switches	Audio, Meter, Talk, Telephone, Adaptive Cruise Control, LKC, Drive mode	
Gear Shift Lever	Leather		
Power Windows	Front and Rear with Auto Up / Down & Jam Protection (Driver Only)		
Audio	Type	Display Audio with 9" Capacitive Touch Screen, Wired / Wireless Apple CarPlay & Android Auto™-ready Connectivity, USB & Bluetooth®	
	Speakers	Speakers x4 + Tweeters x2	
Interior Colour & Trim	2-Tone with soft pad interior panels		
Door Grip	2		
Seats	Material / Colour	Black Semi-Leather	
	Driver & Front Passenger Seat	Manual Adjust, Back Mini & Large Pockets	
	Rear Seat (2nd Row)	6:4 Tumble Slide, Foldable Armrest	
	Rear Seat (3rd Row)	5:5 Tilt Down	
Inside Rear View Mirror	With		
Sun Shades	With Mirror & Ticket Holder (Driver), With Mirror (Passenger)		
USB Charging Ports	Front x1, Rear x2		
Accessory Socket	Centre Console x1, Rear Deck x1		
Cup/Bottle Holders	15		
Wireless Charger	With		
Illuminated Entry System	With (Push Start & Room)		
Interior Ambient Lighting	With (Centre Console & Door Trims)		
Lamps	With (Map, Dome, Luggage Compartment)		
Outer Mirror Foot Lamp	With		
3D Panoramic View Monitor (PVM)	With		
Digital Video Recorder (DVR) - Front	With		
Portable Tyre Pump	With		

# SPECIFICATIONS

VARIANT	1.5	
<b>SAFETY</b>		
<b>ACTIVE</b>		
Toyota Safety Sense	Pre-Collision Warning (PCW)	With
	Pre-Collision Braking (PCB)	With
	Pre-Collision Braking Assist (PCBA)	With
	Adaptive Cruise Control (ACC) with Full Speed Range	With
	Lane Departure Warning (LDW)	With
	Lane Departure Prevention (LDP) with Steering Assist	With
	Lane Keeping Control (LKC)	With
	Front Departure Alert	With
	Adaptive Driving Beam (ADB)	With
Surrounding Monitoring System	Blind Spot Monitor (BSM)	With
	Rear Cross Traffic Alert (RCTA)	With
Parking Assist	Pedal Misoperation Control (Front)	With
	Parking Sensors	With (Front x2 & Rear x2)
Vehicle Stability Control (VSC) & Traction Control (TRC)		With
Anti-lock Braking System (ABS)		With Electronic Brake-force Distribution (EBD) & Brake Assist (BA)
Hill-Start Assist Control (HAC) & Emergency Stop Signal (ESS)		With
Parking Brake		Electric Parking Brake (EPB)
Auto Brake Hold		With
<b>PASSIVE</b>		
SRS Airbags		6 Airbags (Driver, Front Passenger, Side & Curtain)
Seat Belts	Front	3-Point ELR x 2 with Pretensioner and Force Limiter
	Rear 2nd-Row	3-Point ELR x3
	Rear 3rd-Row	3-Point ELR x2
Seat Belt Warning		All seats
ISOFIX		With (Rear x2)
<b>SECURITY</b>		
Alarm System		With Immobilizer, Indicator & Alarm
Vehicle Telematics System (VTS)		With
Security & Solar Film		With
<b>OPTIONAL</b>		
Digital Video Recorder (DVR) - Rear		Optional

\*Functions availability may vary depending on smartphones. For details, please contact your nearest Toyota showroom.



- UMW Toyota Motor reserves the right to alter any details of specifications and equipment without notice.
- Details of specifications and equipment are also subject to change to suit local conditions and requirements.
- Vehicle and specifications in this catalogue may vary from models available locally. Vehicle body and accessory colours might differ slightly from the printed photos in this catalogue.
- All images are used for illustrative purposes.



5 years warranty from the date of first registration with unlimited mileage. Terms and Conditions apply.



The Veloz has been awarded a 5-star ASEAN NCAP safety rating.



Energy Efficient Vehicle



For Your Auto-Financing Needs

