

FORTUNER
CRAFTED TO PERFORM



PURE DUALITY



Move your world

PURE PERFORMANCE

From the city to the great outdoors — purely thrilling.



2.8 Litre Turbo Diesel Engine

The newly developed heavy-duty turbocharger results in superior performance while the increased electronic common-rail fuel injection pressure contributes to increased fuel efficiency.

Max Output

204PS / 3,000-3,400rpm

Max torque & wide flat torque range

500Nm / 1,600-2,800rpm

Electronic Common-rail Fuel Injection

2.7L Engine (Petrol)

Enjoy overall performance across the rev range with Dual VVT-i.

Max Output

166PS / 5,200rpm

Max torque & wide flat torque range

245Nm / 4,000rpm

2.4L Engine (Diesel)

Max Output

150PS / 3,400rpm

Max torque & wide flat torque range

400Nm / 1,600-2,000rpm





Variable Flow Control (VFC) Power Steering

Provides more natural handling that varies the assistance level to match high and low speeds.



4WD Transfer Dial

Switch from 2WD to 4WD on the fly, up to 100km/h with a twist of the dial.



Drive Mode Switch

ECO, Normal and Sport mode — variable power at a push of a button.



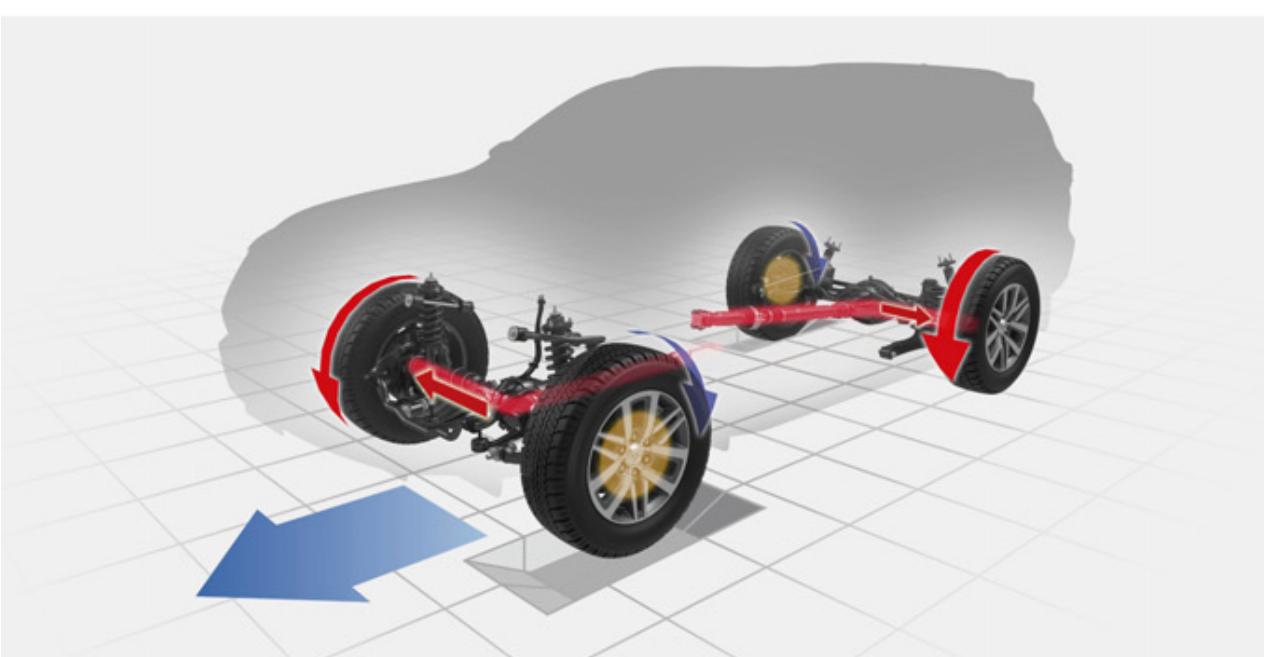
6-speed AT Transmission

Smooth shifting with direct pressure control gives a sporty feel and the wide gear range provides better power and fuel economy.



Auto Limited-slip Differential (LSD)

While activated, it maximises the traction without limiting engine power when one of the rear wheels has slipped.



Active Traction Control (A-TRC)

When a wheel loses traction in 4WD mode, the system brakes that wheel and transfers power to the other wheel on the axle to maintain forward momentum.

DUALITY, PERSONIFIED

Duality is versatility. Form and function combine in one seamless driving experience.



2.8 VRZ 4X4
Super White II colour paired
with a sleek Black Roof



2.7 SRZ Bronze Mica Metallic



**New Quad LED
Headlamps with LED
Daytime Running Lights**
Greater sight and visibility for
both night and day.



**Sequential
LED Turn Signal**
Makes every turn exciting
and eye-catching.



**LED Rear
Combination Lamps**
Stunningly increases
night-time visibility.



18" Alloy Rims
The deep spoke structure
and iconic machine-finish
gives off a rugged look.



**New Design
Front Bumper & Grille**
A blend of sophistication
and prestige with a wide
bumper and bespoke grille.



**New Design
Rear Bumper**
Unmistakable toughness
exudes from the strong
yet sporty rear.



Illuminated Door Trim
A mood to cruise — soothing lights contour the fine details of the interior.

NEW INTERIOR DESIGN

The greatest drive deserves unquestionable comfort.



7 Seat Design

Maroon accents on leather infuse premium style with sporty attitude.



8-way Power Adjustable Front Seats

Refined, stylish features elevate the interior experience for Fortuner.



Front Dual-zone Automatic Climate Control with Rear Automatic Air-conditioning

Fully automatic air conditioning system that allows for maximum temperature control.



Kick-sensor Power Back Door*

Kick it up a notch and load up the Fortuner, handsfree.



EC Mirror

Enhancing night-time vision and clarity.



USB Ports

Front, 2nd row and 3rd row — charging power all-around.



New Optitron Meter

Visibly gorgeous — colour-coordinated monochromatic meter cradles the Multi-Information Display, complete with a unique opening animation.



Cruise Control

Maintain your speed with the push of a button to unwind on a long journey.



Roof Mounted Monitor*

10.2" roof mounted monitor for audio and video entertainment.

*Optional accessory.
Image(s) shown may vary for different variants. Specifications may vary depending on Fortuner variant.



Toyota
Safety
Sense

TOYOTA SAFETY SENSE (TSS)



Pre-collision System (PCS)*

Avoids or mitigates frontal collisions by alerting the driver and automatically applying the brakes when there is a risk of collision.

*Driver remains solely responsible at all times for safe driving.
Image(s) shown may vary for different variants. Specifications may vary depending on Fortuner variant.



Lane Departure Alert (LDA) with Yaw Assist*

Alerts when you are out of the lane unintentionally and applies additional brake force to the inner wheels to correct your Fortuner's direction. Less swaying, safer driving.



Dynamic Radar Cruise Control (DRCC)*

At speeds above 30 km/h, it maintains a safe distance with the preceding vehicle and brakes automatically when the car ahead slows down.

360-T Advanced It's all about Trust & Technology by Toyota

SAFE-T Trust for smoother journeys ahead



Panoramic View Monitor (PVM)

The 360° PVM allows you to be aware of hazards surrounding your Fortuner. Useful when parking, especially in narrow and tight spaces.



Front and Rear DVR*

HD cameras that automatically document your journey should an incident occur and evidence is needed.



Blind Spot Monitor (BSM) with Rear Cross Traffic Alert (RCTA)

Detects vehicles that may not be visible to you when changing lanes or reversing, and alerts you.



Security System

Comprises a full range of security features such as an immobiliser, siren with back-up battery, an intrusion sensor, double locking and speed auto door lock.



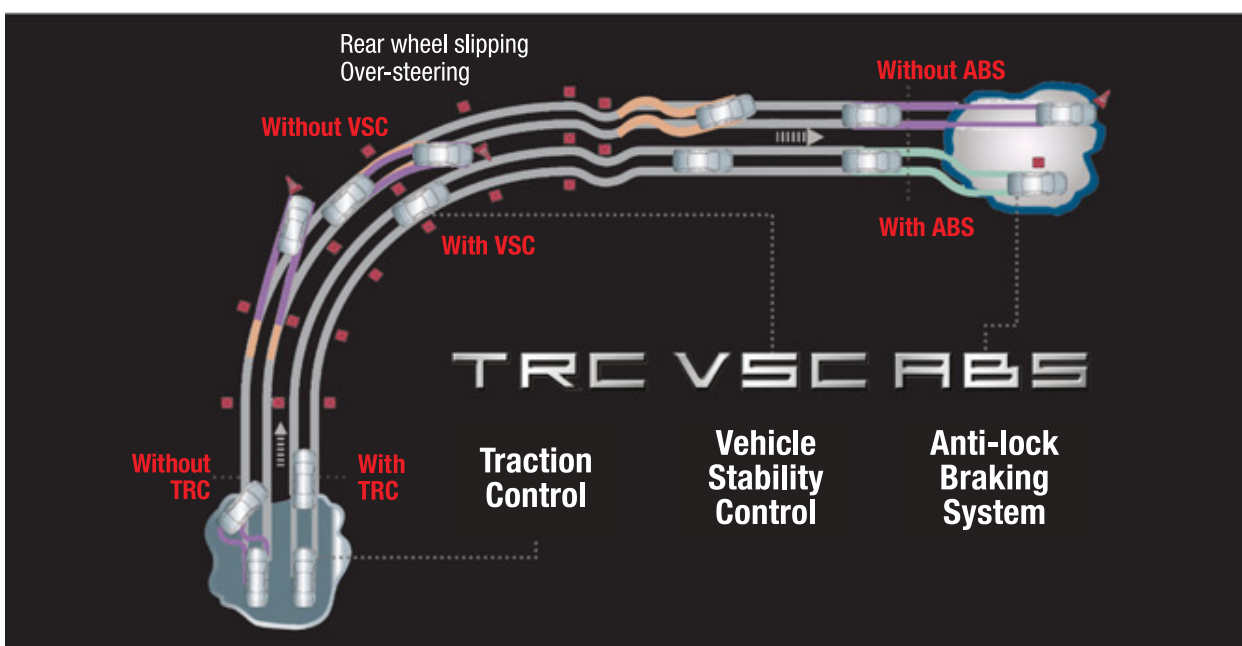
7 SRS Airbags

Driver, front passenger, side, curtain shield and driver's knee airbags provide complete protection for the driver and passengers in the event of a collision.



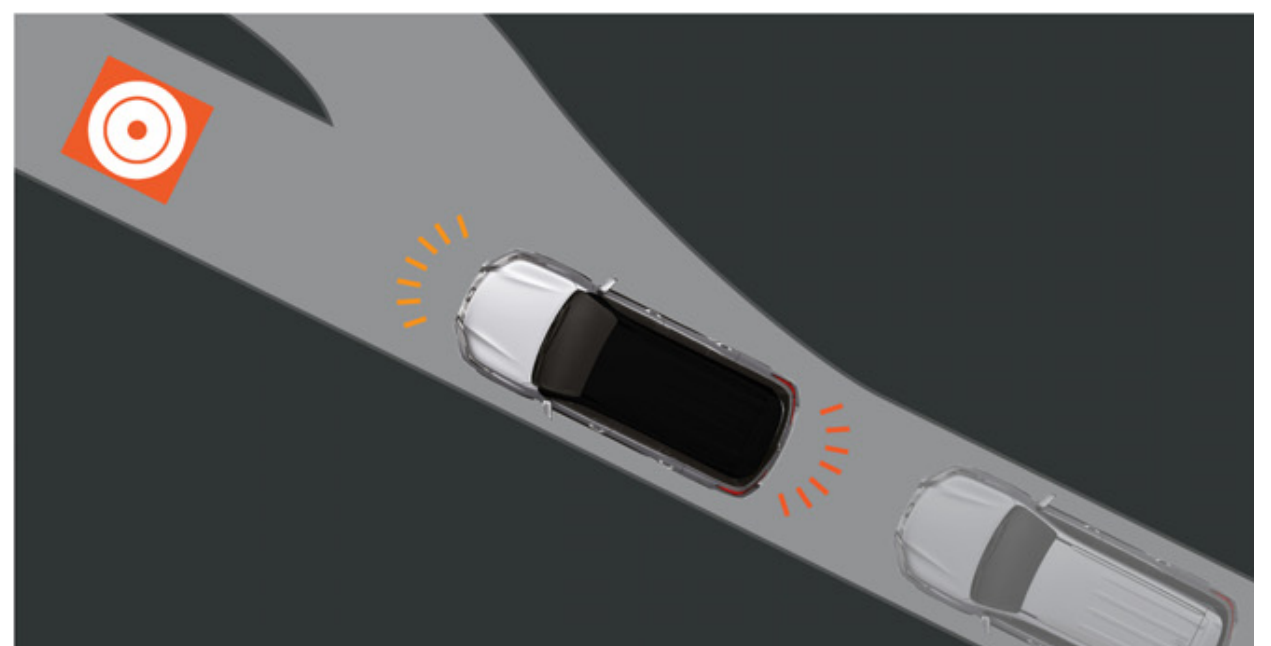
Hill-start Assist Control (HAC)

Prevents the Fortuner from rolling back when moving off up a steep slope, ensuring greater driving safety.



Vehicle Stability Control (VSC) with Traction Control (TRC)

VSC prevents the Fortuner from spinning when sudden manoeuvres are needed, while TRC improves traction when moving off/accelerating on slippery surfaces.



Emergency Stop Signal (ESS) and Brake Assist (BA)

Sudden braking will cause the emergency signals of the Fortuner to flash to warn vehicles behind it, while BA ensures that maximum braking force is applied when an emergency is detected.

360-T Advanced It's all about Trust & Technology by Toyota

CONNECTIVI-T Technology at your command



9" Display Audio with Apple CarPlay & Android Auto™

Wireless Connectivity**

Access navigation and music options easily using your phone.



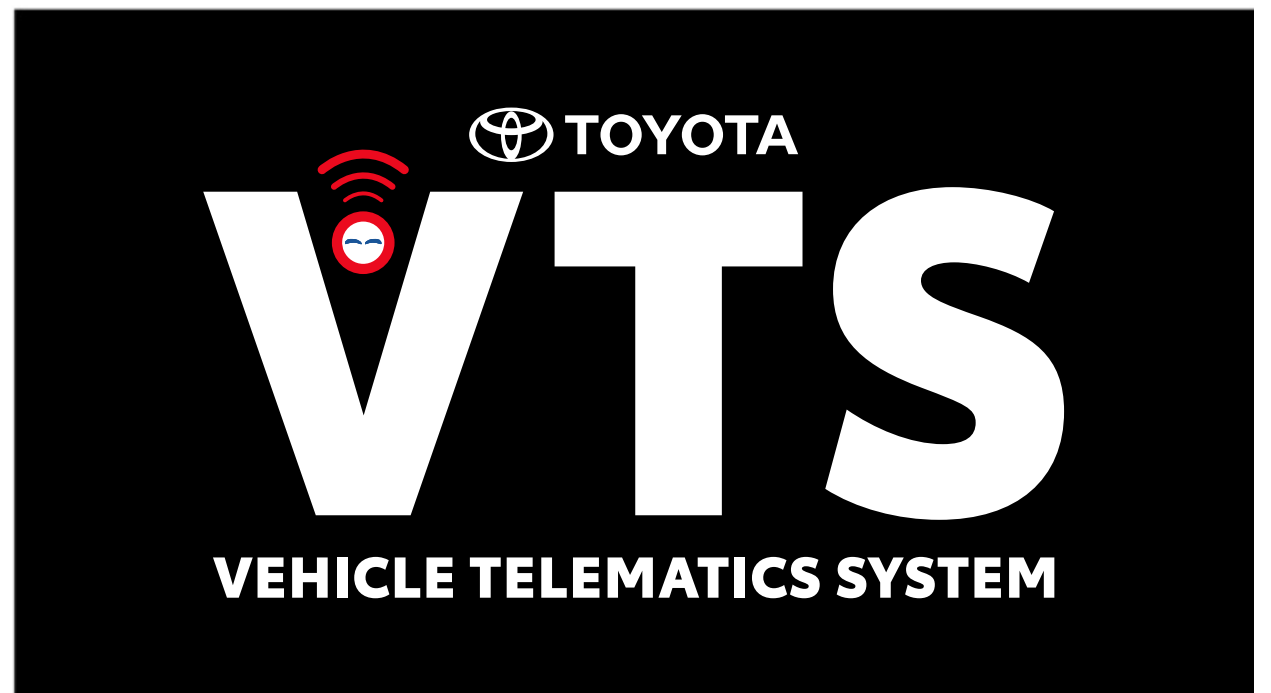
Wireless Charger*

Conveniently charge your Qi standard-compliant devices without the use of a cable.



Remote Engine Start (RES)

With the Toyota MY App, drivers can remotely start their vehicles anywhere to enjoy a pleasant cabin temperature by the time they get in.



Vehicle Telematics System (VTS)

An integrated system that monitors and shares your Fortuner's real-time location through a mobile app.

GUARAN-T Total peace of mind



5 years warranty from the date of first registration with unlimited mileage. Terms and Conditions apply.

*Wireless charging for Qi standard-compliant devices. **Android Auto™ will be available when the service is officially launched in Malaysia. Image(s) shown may vary for different variants. Specifications may vary depending on Fortuner variant.

THE GR BODYKIT PACKAGE*

A new and enhanced bodykit gives your drive a leaner, meaner and sportier uplift.



Front Bumper Skirt

A redesigned front bumper adds a sportier aesthetic upgrade to the car's already powerful performance.



Front Fog Lamp Garnish

Sleek lamp with intersectional lines and design complements style with purpose.

Rear Bumper Skirt

The rear bumper leaves the ultimate display of presence in its wake with a new diffuser.



*Only applicable for 2.4 and 2.7 SRZ variants.
Image(s) shown may vary for different variants. Specifications may vary depending on Fortuner variant.

COLOUR OPTIONS

Super White II with Black Roof (2UE)
for 2.8 VRZ only



Bronze Mica Metallic with Black Roof (2VM)
for 2.8 VRZ only



Bronze Mica Metallic (4T3)*
-Except for 2.8 VRZ



Super White II (040)*
-Except for 2.8 VRZ



*Image shown may vary for different variants.
Specifications may vary depending on Fortuner variant.

Silver Metallic (1D4)



Medium Silver Metallic (1F8)



Phantom Brown Metallic (4W9)



Attitude Black Mica (218)



*Image shown may vary for different variants.
Specifications may vary depending on Fortuner variant.

TOYOTA EXTRA MILE

Toyota prides itself in keeping its cars longer on the road. But beyond its legendary legacy of durability and reliability is the commitment to go the extra mile for every customer. With a comprehensive network of services and facilities across Malaysia to make every Toyota ownership more convenient than ever.

From delivery to your doorstep to holistic car maintenance assistance services, simpler ownership cost management, and much more.

We're more than just an automobile company, we're a mobility company committed to 'Move Your World'.

TOYOTA

EXTENSIVE SALES &
SERVICE NETWORK
NATIONWIDE

Conveniently located for easy accessibility to quality service and genuine parts.

Financial Packages

Selection of financing choices to fit your needs and lifestyle.

Insurance Package

Specially tailored to Toyota owners with exclusive benefits and privileges.

247 Road Assist

Dedicated roadside assistance, 24 hours a day, seven days a week. With FREE minor on-the-spot repairs and towing.

Loyal-T

Rewards you for every transaction you make at Toyota. Redeem service vouchers and other exclusive merchandise.

Maxcheck

All inclusive and comprehensive periodic maintenance checks and schedules.

Service Savers

Makes keeping your new Toyota running at its best easy and even more affordable. Choose from 2, 3 or 5 year service packages.

Genuine Parts

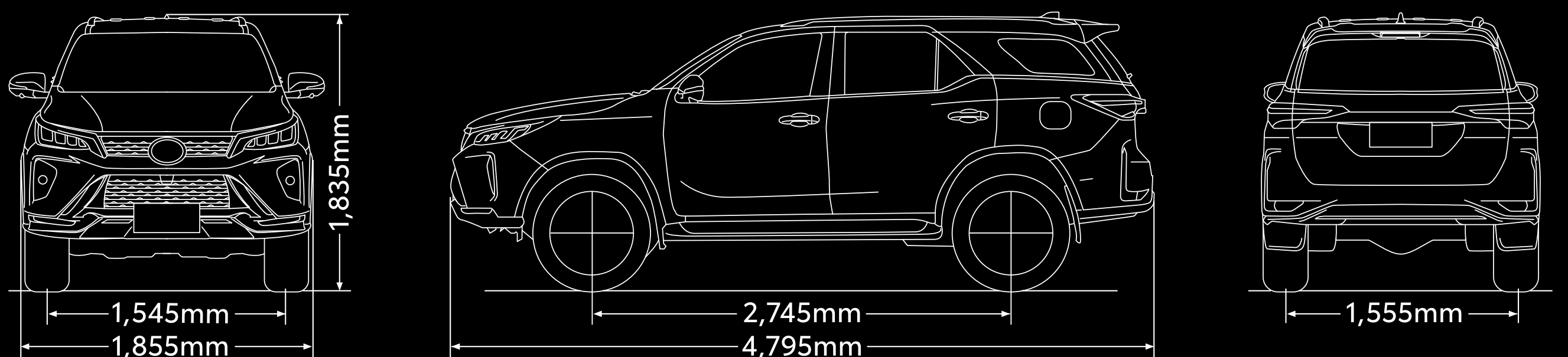
Made to Toyota's exacting standards for guaranteed quality, reliability, and durability, that's readily available nationwide.

SPECIFICATIONS

VARIANT	2.7 SRZ 4x4		2.8 VRZ 4x4		2.4 4x4	
ENGINE						
Model	2TR-FE		1GD-FTV		2GD-FTV	
Type	4-cylinder, In-line, 16V, DOHC Dual VVT-i Petrol		4-cylinder, In-line, 16V, DOHC Intercooler VNT Diesel			
Displacement	cc	2,694	2,755		2,393	
Max. Output	PS / rpm	166 / 5,200	204 / 3,000 - 3,400		150 / 3,400	
Max. Torque	Nm / rpm	245 / 4,000	500 / 1,600 - 2,800		400 / 1,600 - 2,000	
TRANSMISSION						
Type	6-speed Automatic with Sequential Shifter					
Paddle Shift	With			Without		
CHASSIS						
Suspension	Front / Rear	Independent Double Wishbone with Coil Spring & Stabiliser / 4-link coil Spring with Lateral Control Rod & Stabiliser				
Brakes	Front / Rear	Ventilated Disc with 4-Piston Fixed Caliper / Ventilated Disc				
Drivetrain	Part-time 4WD with Automatic Disconnecting Differential (ADD)					
Rear Differential Lock	With			Without		
Auto Limited-slip Differential (LSD)	With			Without		
Steering	Type	Rack & Pinion with Hydraulic Power Assist				
	Variable Flow Control (VFC)	Without		With		
Tyres & Rims	265/60R18, Alloy (Highway Terrain Tyres)			265/65R17, Alloy (All-Terrain Tyres)		
Spare Tyre & Rim	265/60R18, Alloy (Highway Terrain Tyre)			265/65R17, Alloy (All-Terrain Tyre)		
Min. Turning Radius	(m)	5.8				
MEASUREMENTS						
Overall	Length	(mm)	4,795			
	Width	(mm)	1,855			
	Height	(mm)	1,835			
Wheelbase	(mm)	2,745				
Weight	Kerb / Gross	(kg)	2,020 / 2,620	2,160 / 2,740		2,110 / 2,710
Tread	Front / Rear	(kg)	1,545 / 1,555			
Min. Ground Clearance	(mm)	279				
Fuel Capacity	(Litre)	80				
EXTERIOR FEATURES						
Headlamps	Type	Automatic Bi-LED Projector (with Follow Me Home Function)	Automatic Quad LED (with Follow Me Home Function)	Automatic Bi-LED Projector (with Follow Me Home Function)		
	Auto Leveling	With				
Daytime Running Lights	With (LED)					
Fog Lamps	Front / Rear	With (LED) / With				
Turn Signal Lamp	With (LED)		With (Sequential LED)		With (Bulb)	
Wing Mirror	Power Adjustable & Retractable with LED Turn Signal Lamp and Puddle Lamp			Power Adjustable & Retractable with LED Turn Signal Lamp		
Door Visor	With					
Power Back Door	With			Without		
Rear Combination Lamps	With (LED)					
Wiper	Front / Rear	Intermittent with Time Adjustable & Mist / With Intermittent				
INTERIOR FEATURES						
Meter Panel	Type	Optitron with Illumination Control				
	Multi-Information Display (MID)	With (4.2" Colour TFT)				
Audio System	Type	9" Display Audio with Wired / Wireless Apple CarPlay & Android Auto™ Ready Connectivity*, USB & Bluetooth®				
	Speakers	6				
Air Conditioner	Front & Rear	Dual-zone Automatic Climate Control / Automatic			Manual	
USB Charging Port	Front	With				
	2nd Row	Without		With		Without
	3rd Row	With				
Accessory Power Outlet	With (12V x 3)		With (12V x 2)		With (12V x 3)	
Front Digital Video Recorder (DVR)	With					
Steering	Type	Leather Wrapped, Tilt & Telescopic Adjustable			Tilt & Telescopic Adjustable	
	Switches	Audio, MID, Bluetooth® Hands-free and Cruise Control	Audio, MID, Bluetooth® Hands-free, Adaptive Cruise Control & Lane Departure Alert		Audio, MID, Bluetooth® Hands-free	

*Android Auto™ will be available when the service is officially launched in Malaysia. For details, please contact your nearest Toyota showroom.

DIMENSIONS



SPECIFICATIONS

VARIANT	2.7 SRZ 4x4	2.8 VRZ 4x4	2.4 4x4
INTERIOR FEATURES			
Smart Entry & Push Start System	With		
Power Windows	With (Auto Up/ Down with Jam Protection for All Windows)		
Drive Mode	With (Normal, ECO & Power Mode)	With (Normal, ECO & Sport Mode)	With (Normal, ECO & Power Mode)
4WD Transfer Dial	With (Electronic)		
Storage	Centre Console Box	With Leather Lid	
	Glove Box Upper / Lower	With Cooler / With	
Door Courtesy Lamp	With (4 Doors)		Reflector Only
Door Trim	Leather with Silver Trim		Fabric with Black Trim
Seat Material	Combination Leather		Fabric
Front Seat	Driver / Passenger	8-way Power	
2nd Row Seat	Type	60:40 Split Fold, One-touch Tumble, With Sliding and Reclining Function	
	Armrest	With Cup Holders	
3rd Row Seat	Type	50:50 Split Fold, One-touch Easy Space Up, With Reclining Function	
Luggage Tray	With		
Remote Engine Start	With		Without
Illuminated Entry System	With (Push Start & Room)	With (Door Trim, Center Console, Footwell, Push Start & Room)	With (Push Start & Room)
Wireless Charger	With		
RFID	With		
SAFETY			
Toyota Safety Sense	Pre-collision System (PCS)	Without	With
	Lane Departure Alert (LDA)		
	Dynamic Radar Cruise Control (DRCC)	Without (Normal Cruise Control)	Without
Blind Spot Monitor (BSM) with Rear Cross Traffic Alert (RCTA)	With		Optional
Reverse Camera	With		
Panoramic View Monitor (PVM)	With		Optional
Vehicle Stability Control (VSC)	With		
Active Traction Control (A-TRC)	With		
Downhill Assist Control (DAC)	With		Without
Hill-start Assist Control (HAC)	With		
Anti-Lock Braking System (ABS)	With Electronic Brake-Force Distribution (EBD) & Brake Assist (BA)		
Parking Sensor	With (Front & Rear)		
SRS Airbags	7 (Driver, Front Passenger, Side, Curtain & Driver Knee)		
Seatbelts	Front	3-point ELR x 2 with Pretensioner & Force Limiter	
	2nd Row Seat	3-point ELR x 3	
	3rd Row Seat	3-point ELR x 2	
ISOFIX (Child Restraint System)	With (Outboard 2nd Row Seats)		
SECURITY			
Alarm	Immobiliser, Siren with backup battery, Cabin Sensor, Glass Break Sensor, Double Locking & Speed Auto Door Lock		
Spare Wheel Lock	With		
Toyota Premium Security & Solar Film	With		
Vehicle Telematics System (VTS)	With		Optional
OPTIONAL			
Roof Mounted Monitor	Optional		
Rear Digital Video Recorder (DVR)	Optional		
GR Bodykit	Optional	Without	Optional
Kick Sensor for Power Back Door	Optional		Without



5 years warranty from the date of first registration with unlimited mileage. Terms and Conditions apply.



Energy Efficient Vehicle

- UMW Toyota Motor reserves the right to alter any details of specifications and equipment without notice.
- Details of specifications and equipment are also subject to change to suit local conditions and requirements.
- Vehicle and specifications in this catalogue may vary from models available locally.
- Vehicle body and accessory colours might differ from the printed photos in this catalogue.
- All images used are for illustrative purposes.